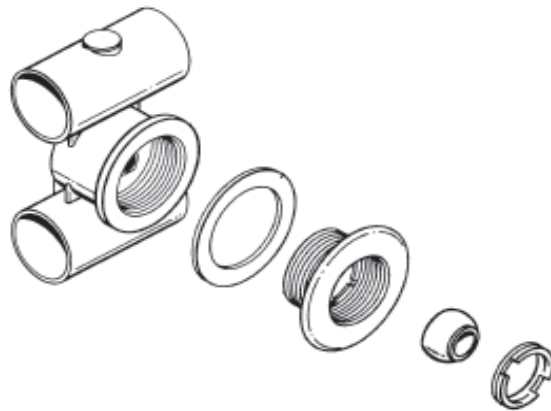


Hydroair Jet Assembly

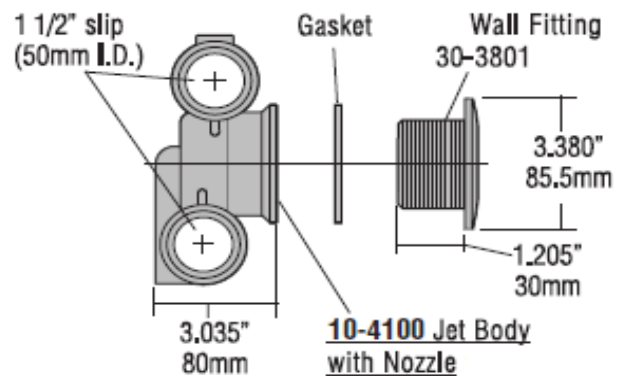
SPECIFICATIONS:

Output : 13 GPM, 12 psi, 3/8" Nozzle
1.5 m³/h @ 7m H₂O

Hole Size: Use 2 3/8" hole saw



Stacked Jet Assemblies



HydroTher

135 MATHESON BLVD. EAST
MISSISSAUGA, ONTARIO, CANADA
L4Z 1R2
TEL: 1-800-891-5811
FAX: (905) 890-3119