

# HydroTher

1-800-891-5811

Proudly Made In North America

www.hydrother.com



## HydroTher H-1200C

144" x 92" x 42.5" / 366 x 233 x 108 cm

### H-1200C COMMERCIAL PRE-PLUMBED HOT TUB:

- Wide Mouth Style Skimmer (NSF listed)
- 9 Large & 4 Medium Hydrotherapy Jets
- 2 Top Mount Air Controls
- 2 - 10" VGB Floor Drain
- 3 Return Inlets
- Tiled Depth Marker
- Marine Grade Gel Coat Delineation Markings
- Water Level Controller

### STANDARD MECHANICAL EQUIPMENT PACK HCSP-4 SINGLE PHASE 240V EQUIPMENT FEATURING:

- 0.75 hp Circulation Pump With Strainer
- 2 hp Jet Pump With Strainer
- 200 sq.ft Cartridge Filter
- 15 kw Coates Electric Heater
- Flowmeter
- 2 Inline Thermometers
- Available in 240v 1ph, 208v 3ph and 575v 3ph

All Spas are compliant with the Virginia Graeme Baker Pool & Spa Safety Act.

### Options:

- Waterline Tile  
(Available in Blue, Brown or Grey)
- Rigid Plumbing
- Additional R12 Insulation
- P-Rail w/ Flanges
- P-Rail w/ Anchors
- 4" x 3" Insulated Hard Safety Cover  
(Available in Blue, Brown or Grey)

### Specifications

Size: 144" x 92" / 366 x 233 cm

Height: 42.5" / 108 cm

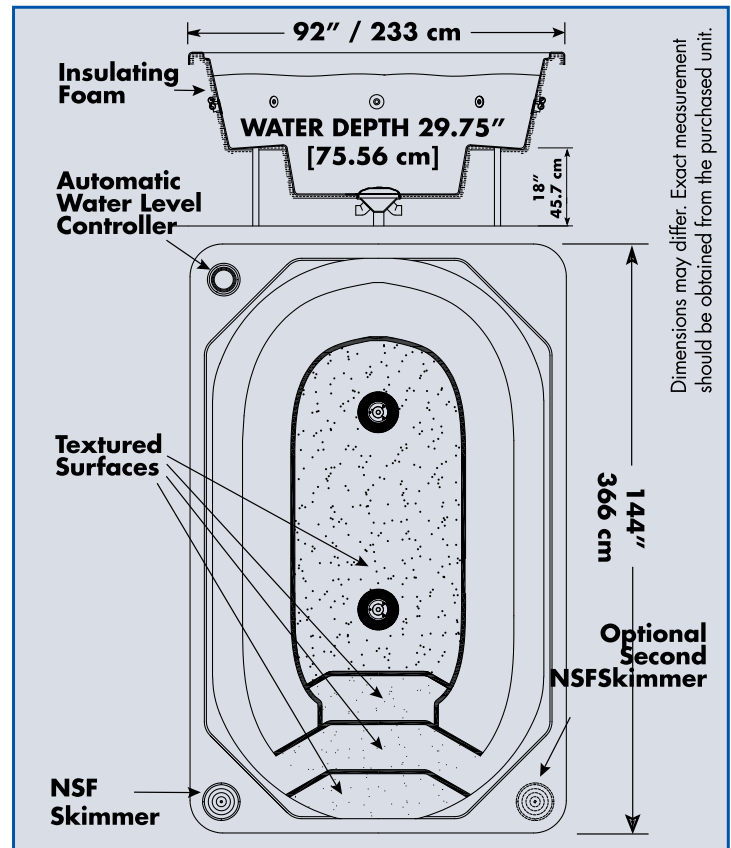
Volume: 840 US gallons / 3180 Litres

Weight Full: 8055 lbs / 3654 kg

Weight Empty: 1050 lbs / 477 kg

Seating: 10 - 12 persons persons

(Some Jurisdictions may limit bather capacity)

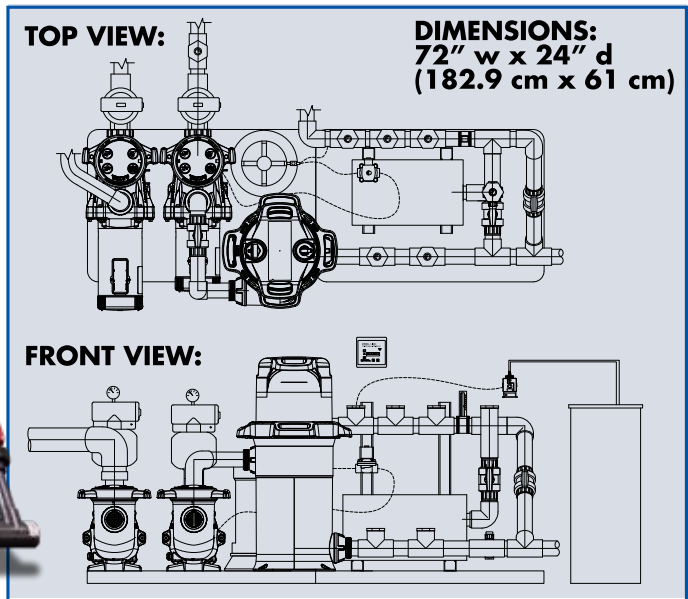
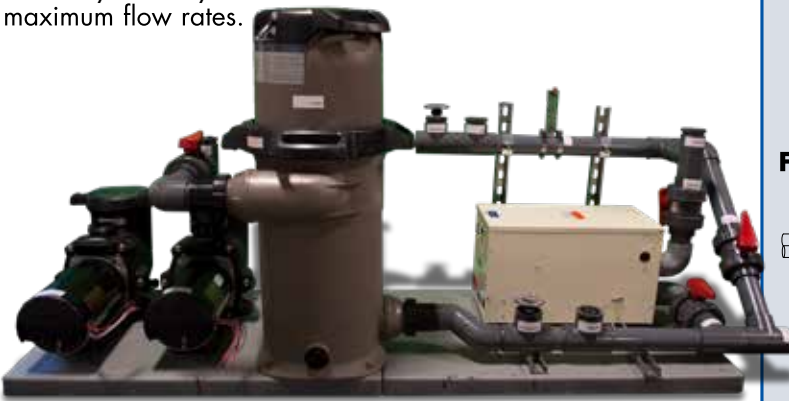




## HydroTher Mechanical Equipment Packs:

### Mechanical Support Systems

Each HydroTher Commercial Hot Tub is available with an optional factory plumbed & water tested Mechanical Support System that is fully labelled and mounted on a water-proof plastic base to save you costly on-site labour and ensure maximum flow rates.



## Options:

- Underwater 12v LED Light (choice of white or colour)
- Set of 2 Vac Alert SVRS's
- External High Limit Switch
- Electronic Countdown Timer
- Emergency Push-Pull Button
- Audio Visual Beacon
- Chemical Automation System W/ Erosion Feeder or Liquid Feeder
- UV Sanitation System
- Substitute for Sand Filter
- Substitute for Gas or Propane Heater
- Add Second Skimmer



**1-800-891-5811**

**W:** [HydroTher.com](http://HydroTher.com) **E:** [info@HydroTher.com](mailto:info@HydroTher.com)

**Follow Us** on Instagram @[pplgroup](https://www.instagram.com/pplgroup)

Proudly Made In North America

